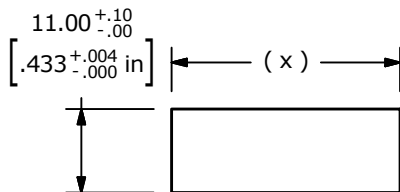
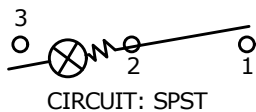
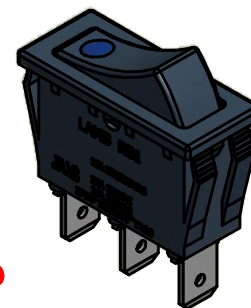
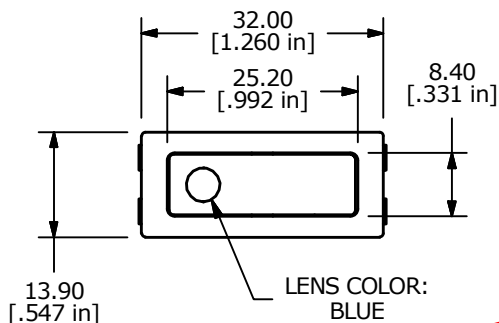


SWITCH FUNCTION	
POS. 1	POS. 2
OFF	ON
OPEN	2-1, 2-3



PANEL CUTOUT

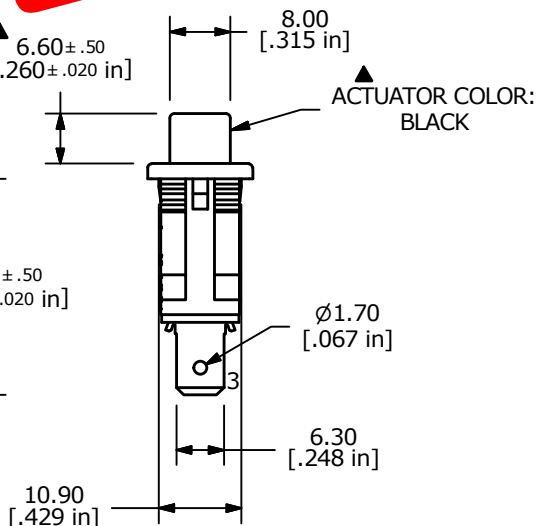
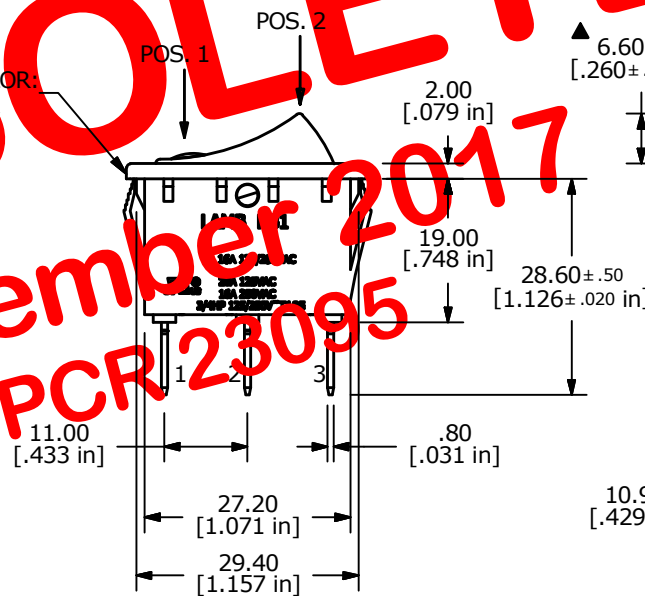
PANEL THICKNESS	(x)	TOLERANCE
0.75 - 1.25	30.0	+/- 0.1



NOTE:

- DIMENSIONS IN MM [INCH]
- GENERAL TOLERANCE: X.X = ± 0.4
X.XX = ± 0.25
- TERMINAL NUMBERS FOR REF ONLY
- CONTACT MATERIAL: SILVER
- CONTACT RATINGS:
ANSI/UL 1054 AND CAN/CSA C22.2 NO.55 (E194579):
20A @ 125VAC [cURus]
16A @ 250VAC [cURus]
3/4HP 125/250VAC [cURus]
EN 61058-1:2002 AND DIN/VDE 0630:2003-03(40017926):
16(4)A 250V~ 1E4 μ T85/55 [ENEC10, VDE]
10(2)A 250V~ 5E4 μ T85/55 [ENEC10, VDE]
- CONTACT RESISTANCE: 20mΩ MAX. INITIAL
- INSULATION RESISTANCE: 100MΩ MIN. @ 500VDC
- DIELECTRIC STRENGTH: 1,000VAC FOR 1 MINUTE
- ELECTRICAL LIFE: 6,000 CYCLES [cURus]
10,000 CYCLES [ENEC10, VDE] 16(4)A 250V~
50,000 CYCLES [ENEC10, VDE] 10(2)A 250V~
- OPERATING TEMPERATURE: -20°C TO 55°C [cURus]
-20°C TO 85°C [ENEC10, VDE]
- ▲ DENOTES CRITICAL PARAMETER
- 2002/95/EC (ROHS) COMPLIANT
- ILLUMINATION: NEON LAMP
- ▲ 14. ILLUMINATION VOLTAGE: 125V

OBSOLETE
November 2017
PCR 23095



A	21226	RELEASE FOR PRODUCTION	9/5/13	EBP
REV	PCR NO	DESCRIPTION	DATE	BY

TITLE RB141D1100-246				
SCALE	DATE	DR	DWG	REV

	9/5/2013	EBP	14-RB141D1100246	A
--	----------	-----	------------------	---